

Track light

CHILL

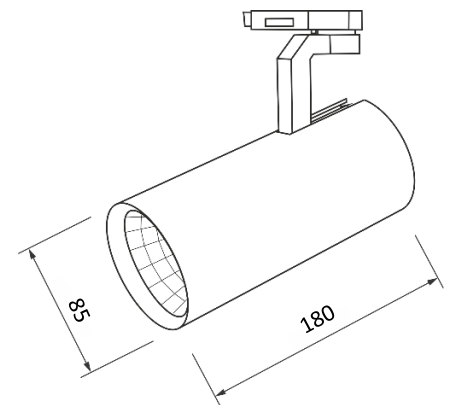
AVA TECH

Type of luminaire	track light
Application areas	Accent lighting
Mounting	3P Power Track
Pan/tilt range	355°/90°
Supply unit	LED Driver integrated (LED Driver DALI on request)
Nominal voltage	220V, 50Hz
System performance	18 W, 22 W, 27 W
Lighting technology	LED COB
Optic	Aluminum reflector MIRO-Silver®
Beam angle	18°, 24°, 36°, 60°
Luminous Flux	2050 - 4071 lm
Light colour	2700 K, 3000 K, 3500 K - True White, 3500 K - Bright Colour, 3500 K, 4000 K,
Light colour Food*	B+C, V, M, F
CRI	80 - 97
Power factor	0,95



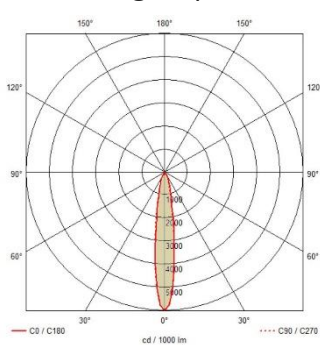
Protection rating	IP20
Cooling	passive
Body	Cast aluminum
Body colour	black, white, Special colours on request
Weight	0,83 kg
Life time	50 000 hours.
Warranty	5 years/50 000 hours
Certificates	UA, CE

* B = Bakery, V = Vegetable, C = Cheese, M = Meat, F = Fish

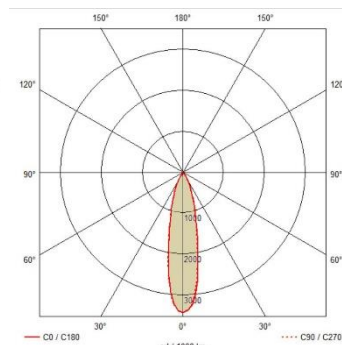


Dimensions

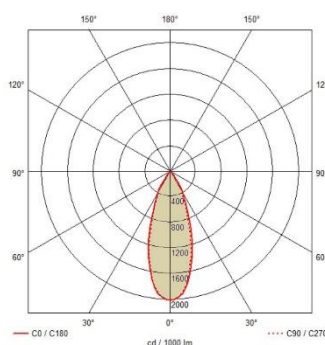
Beam angle options



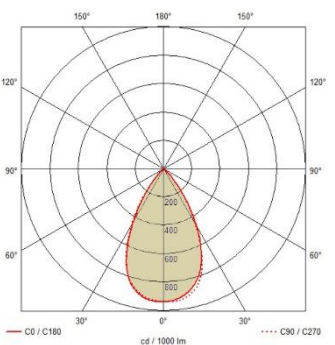
CHILL18 LED



CHILL24 LED



CHILL36 LED



CHILL60 LED

Technical details, as well as size and weight parameters were prepared as accurately as possible. All dimensions in mm. LED Lifetime Information - L90 / B10 at 25 ° C ambient temperature. A tolerance of +/- 10% applies to luminous flux and performance characteristics. Minimum color rendering indices Ra > 80 / > 90. Product images are used as an example and may differ from the original. We reserve the right to make changes in order to improve the product.

Ordering information

Model	Beam angle	System performance	CRI	Light colour White	Luminous Flux
18 LED 18W/827 W 18 LED 18W/827 B	18°	18 W	80	2700 K	1930 lm
18 LED 18W/830 W 18 LED 18W/830 B	18°	18 W	80	3000 K	2310 lm
18 LED 18W/840 W 18 LED 18W/840 B	18°	18 W	80	4000 K	2718 lm
18 LED 18W/850 W 18 LED 18W/850 B	18°	18 W	80	5000 K	2718 lm
18 LED 18W/M W 18 LED 18W/M B	18°	18 W	-	meat	1280 lm
18 LED 18W/B+C W 18 LED 18W/B+C B	18°	18 W	-	bread & cheese	1488 lm
18 LED 18W/V W 18 LED 18W/V B	18°	18 W	-	vegetables & fruits	1696 lm
18 LED 18W/F W 18 LED 18W/F B	18°	18 W	-	fish	1566 lm
24 LED 18W/827 W 24 LED 18W/827 B	24°	18 W	80	2700 K	1930 lm
24 LED 18W/830 W 24 LED 18W/830 B	24°	18 W	80	3000 K	2310 lm
24 LED 18W/840 W 24 LED 18W/840 B	24°	18 W	80	4000 K	2718 lm
24 LED 18W/850 W 24 LED 18W/850 B	24°	18 W	80	5000 K	2718 lm
24 LED 18W/M W 24 LED 18W/M B	24°	18 W	-	meat	1280 lm
24 LED 18W/B+C W 24 LED 18W/B+C B	24°	18 W	-	bread & cheese	1488 lm
24 LED 18W/V W 24 LED 18W/V B	24°	18 W	-	vegetables & fruits	1696 lm
24 LED 18W/F W 24 LED 18W/F B	24°	18 W	-	fish	1566 lm
36 LED 18W/827 W 36 LED 18W/827 B	36°	18 W	80	2700 K	1930 lm
36 LED 18W/830 W 36 LED 18W/830 B	36°	18 W	80	3000 K	2310 lm
36 LED 18W/840 W 36 LED 18W/840 B	36°	18 W	80	4000 K	2718 lm
36 LED 18W/850 W 36 LED 18W/850 B	36°	18 W	80	5000 K	2718 lm
36 LED 18W/M W 36 LED 18W/M B	36°	18 W	-	meat	1280 lm
36 LED 18W/B+C W 36 LED 18W/B+C B	36°	18 W	-	bread & cheese	1488 lm
36 LED 18W/V W 36 LED 18W/V B	36°	18 W	-	vegetables & fruits	1696 lm
36 LED 18W/F W 36 LED 18W/F B	36°	18 W	-	fish	1566 lm
60 LED 18W/827 W 60 LED 18W/827 B	60°	18 W	80	2700 K	1930 lm

Technical details, as well as size and weight parameters were prepared as accurately as possible. All dimensions in mm. LED Lifetime Information - L90 / B10 at 25 ° C ambient temperature. A tolerance of +/- 10% applies to luminous flux and performance characteristics. Minimum color rendering indices Ra> 80 /> 90. Product images are used as an example and may differ from the original. We reserve the right to make changes in order to improve the product.

Ordering information

Model	Beam angle	System performance	CRI	Light colour White	Luminous Flux
60 LED 18W/830 W 60 LED 18W/830 B	60°	18 W	80	3000 K	2310 lm
60 LED 18W/840 W 60 LED 18W/840 B	60°	18 W	80	4000 K	2718 lm
60 LED 18W/850 W 60 LED 18W/850 B	60°	18 W	80	5000 K	2718 lm
60 LED 18W/M W 60 LED 18W/M B	60°	18 W	-	meat	1280 lm
60 LED 18W/B+C W 60 LED 18W/B+C B	60°	18 W	-	bread & cheese	1488 lm
60 LED 18W/V W 60 LED 18W/V B	60°	18 W	-	vegetables & fruits	1696 lm
60 LED 18W/F W 60 LED 18W/F B	60°	18 W	-	fish	1566 lm
18 LED 18W/927 W 18 LED 18W/927 B	18°	18 W	90	2700 K	1690 lm
18 LED 18W/930 W 18 LED 18W/930 B	18°	18 W	90	3000 K	2038 lm
18 LED 18W/940 W 18 LED 18W/940 B	18°	18 W	90	4000 K	2380 lm
18 LED 18W/950 W 18 LED 18W/950 B	18°	18 W	90	5000 K	2380 lm
24 LED 18W/927 W 24 LED 18W/927 B	24°	18 W	90	2700 K	1690 lm
24 LED 18W/930 W 24 LED 18W/930 B	24°	18 W	90	3000 K	2038 lm
24 LED 18W/940 W 24 LED 18W/940 B	24°	18 W	90	4000 K	2380 lm
24 LED 18W/950 W 24 LED 18W/950 B	24°	18 W	90	5000 K	2380 lm
36 LED 18W/927 W 36 LED 18W/927 B	36°	18 W	90	2700 K	1690 lm
36 LED 18W/930 W 36 LED 18W/930 B	36°	18 W	90	3000 K	2038 lm
36 LED 18W/940 W 36 LED 18W/940 B	36°	18 W	90	4000 K	2380 lm
36 LED 18W/950 W 36 LED 18W/950 B	36°	18 W	90	5000 K	2380 lm
60 LED 18W/927 W 60 LED 18W/927 B	60°	18 W	90	2700 K	1690 lm
60 LED 18W/930 W 60 LED 18W/930 B	60°	18 W	90	3000 K	2038 lm
60 LED 18W/940 W 60 LED 18W/940 B	60°	18 W	90	4000 K	2380 lm
60 LED 18W/950 W 60 LED 18W/950 B	60°	18 W	90	5000 K	2380 lm
18 LED 22W/827 W 18 LED 22W/827 B	18°	22 W	80	2700 K	2359 lm
18 LED 22W/830 W 18 LED 22W/830 B	18°	22 W	80	3000 K	2823 lm

Technical details, as well as size and weight parameters were prepared as accurately as possible. All dimensions in mm. LED Lifetime Information - L90 / B10 at 25 ° C ambient temperature. A tolerance of +/- 10% applies to luminous flux and performance characteristics. Minimum color rendering indices Ra> 80 /> 90. Product images are used as an example and may differ from the original. We reserve the right to make changes in order to improve the product.

Ordering information

Model	Beam angle	System performance	CRI	Light colour White	Luminous Flux
18 LED 22W/840 W 18 LED 22W/840 B	18°	22 W	80	4000 K	3322 lm
18 LED 22W/850 W 18 LED 22W/850 B	18°	22 W	80	5000 K	3322 lm
18 LED 22W/M W 18 LED 22W/M B	18°	22 W	-	meat	1564 lm
18 LED 22W/B+C W 18 LED 22W/B+C B	18°	22 W	-	bread & cheese	1819 lm
18 LED 22W/V W 18 LED 22W/V B	18°	22 W	-	vegetables & fruits	2072 lm
18 LED 22W/F W 18 LED 22W/F B	18°	22 W	-	fish	1914 lm
24 LED 22W/827 W 24 LED 22W/827 B	24°	22 W	80	2700 K	2359 lm
24 LED 22W/830 W 24 LED 22W/830 B	24°	22 W	80	3000 K	2823 lm
24 LED 22W/840 W 24 LED 22W/840 B	24°	22 W	80	4000 K	3322 lm
24 LED 22W/850 W 24 LED 22W/850 B	24°	22 W	80	5000 K	3322 lm
24 LED 22W/M W 24 LED 22W/M B	24°	22 W	-	meat	1564 lm
24 LED 22W/B+C W 24 LED 22W/B+C B	24°	22 W	-	bread & cheese	1819 lm
24 LED 22W/V W 24 LED 22W/V B	24°	22 W	-	vegetables & fruits	2072 lm
24 LED 22W/F W 24 LED 22W/F B	24°	22 W	-	fish	1914 lm
36 LED 22W/827 W 36 LED 22W/827 B	36°	22 W	80	2700 K	2359 lm
36 LED 22W/830 W 36 LED 22W/830 B	36°	22 W	80	3000 K	2823 lm
36 LED 22W/840 W 36 LED 22W/840 B	36°	22 W	80	4000 K	3322 lm
36 LED 22W/850 W 36 LED 22W/850 B	36°	22 W	80	5000 K	3322 lm
36 LED 22W/M W 36 LED 22W/M B	36°	22 W	-	meat	1564 lm
36 LED 22W/B+C W 36 LED 22W/B+C B	36°	22 W	-	bread & cheese	1819 lm
36 LED 22W/V W 36 LED 22W/V B	36°	22 W	-	vegetables & fruits	2072 lm
36 LED 22W/F W 36 LED 22W/F B	36°	22 W	-	fish	1914 lm
60 LED 22W/827 W 60 LED 22W/827 B	60°	22 W	80	2700 K	2359 lm
60 LED 22W/830 W 60 LED 22W/830 B	60°	22 W	80	3000 K	2823 lm
60 LED 22W/840 W 60 LED 22W/840 B	60°	22 W	80	4000 K	3322 lm

Technical details, as well as size and weight parameters were prepared as accurately as possible. All dimensions in mm. LED Lifetime Information - L90 / B10 at 25 ° C ambient temperature. A tolerance of +/- 10% applies to luminous flux and performance characteristics. Minimum color rendering indices Ra> 80 /> 90. Product images are used as an example and may differ from the original. We reserve the right to make changes in order to improve the product.

Ordering information

Model	Beam angle	System performance	CRI	Light colour White	Luminous Flux
60 LED 22W/850 W 60 LED 22W/850 B	60°	22 W	80	5000 K	3322 lm
60 LED 22W/M W 60 LED 22W/M B	60°	22 W	-	meat	1564 lm
60 LED 22W/B+C W 60 LED 22W/B+C B	60°	22 W	-	bread & cheese	1819 lm
60 LED 22W/V W 60 LED 22W/V B	60°	22 W	-	vegetables & fruits	2072 lm
60 LED 22W/F W 60 LED 22W/F B	60°	22 W	-	fish	1914 lm
18 LED 22W/927 W 18 LED 22W/927 B	18°	22 W	90	2700 K	2065 lm
18 LED 22W/930 W 18 LED 22W/930 B	18°	22 W	90	3000 K	2491 lm
18 LED 22W/940 W 18 LED 22W/940 B	18°	22 W	90	4000 K	2908 lm
18 LED 22W/950 W 18 LED 22W/950 B	18°	22 W	90	5000 K	2908 lm
24 LED 22W/927 W 24 LED 22W/927 B	24°	22 W	90	2700 K	2065 lm
24 LED 22W/930 W 24 LED 22W/930 B	24°	22 W	90	3000 K	2491 lm
24 LED 22W/940 W 24 LED 22W/940 B	24°	22 W	90	4000 K	2908 lm
24 LED 22W/950 W 24 LED 22W/950 B	24°	22 W	90	5000 K	2908 lm
36 LED 22W/927 W 36 LED 22W/927 B	36°	22 W	90	2700 K	2065 lm
36 LED 22W/930 W 36 LED 22W/930 B	36°	22 W	90	3000 K	2491 lm
36 LED 22W/940 W 36 LED 22W/940 B	36°	22 W	90	4000 K	2908 lm
36 LED 22W/950 W 36 LED 22W/950 B	36°	22 W	90	5000 K	2908 lm
60 LED 22W/927 W 60 LED 22W/927 B	60°	22 W	90	2700 K	2065 lm
60 LED 22W/930 W 60 LED 22W/930 B	60°	22 W	90	3000 K	2491 lm
60 LED 22W/940 W 60 LED 22W/940 B	60°	22 W	90	4000 K	2908 lm
60 LED 22W/950 W 60 LED 22W/950 B	60°	22 W	90	5000 K	2908 lm
18 LED 27W/827 W 18 LED 27W/827 B	18°	27 W	80	2700 K	2895 lm
18 LED 27W/830 W 18 LED 27W/830 B	18°	27 W	80	3000 K	3465 lm
18 LED 27W/840 W 18 LED 27W/840 B	18°	27 W	80	4000 K	4077 lm
18 LED 27W/850 W 18 LED 27W/850 B	18°	27 W	80	5000 K	4077 lm

Technical details, as well as size and weight parameters were prepared as accurately as possible. All dimensions in mm. LED Lifetime Information - L90 / B10 at 25 ° C ambient temperature. A tolerance of +/- 10% applies to luminous flux and performance characteristics. Minimum color rendering indices Ra> 80 /> 90. Product images are used as an example and may differ from the original. We reserve the right to make changes in order to improve the product.

Ordering information

Model	Beam angle	System performance	CRI	Light colour White	Luminous Flux
18 LED 27W/M W 18 LED 27W/M B	18°	27 W	-	meat	1920 lm
18 LED 27W/B+C W 18 LED 27W/B+C B	18°	27 W	-	bread & cheese	2232 lm
18 LED 27W/V W 18 LED 27W/V B	18°	27 W	-	vegetables & fruits	2543 lm
18 LED 27W/F W 18 LED 27W/F B	18°	27 W	-	fish	2349 lm
24 LED 27W/827 W 24 LED 27W/827 B	24°	27 W	80	2700 K	2895 lm
24 LED 27W/830 W 24 LED 27W/830 B	24°	27 W	80	3000 K	3465 lm
24 LED 27W/840 W 24 LED 27W/840 B	24°	27 W	80	4000 K	4077 lm
24 LED 27W/850 W 24 LED 27W/850 B	24°	27 W	80	5000 K	4077 lm
24 LED 27W/M W 24 LED 27W/M B	24°	27 W	-	meat	1920 lm
24 LED 27W/B+C W 24 LED 27W/B+C B	24°	27 W	-	bread & cheese	2232 lm
24 LED 27W/V W 24 LED 27W/V B	24°	27 W	-	vegetables & fruits	2543 lm
24 LED 27W/F W 24 LED 27W/F B	24°	27 W	-	fish	2349 lm
36 LED 27W/827 W 36 LED 27W/827 B	36°	27 W	80	2700 K	2895 lm
36 LED 27W/830 W 36 LED 27W/830 B	36°	27 W	80	3000 K	3465 lm
36 LED 27W/840 W 36 LED 27W/840 B	36°	27 W	80	4000 K	4077 lm
36 LED 27W/850 W 36 LED 27W/850 B	36°	27 W	80	5000 K	4077 lm
36 LED 27W/M W 36 LED 27W/M B	36°	27 W	-	meat	1920 lm
36 LED 27W/B+C W 36 LED 27W/B+C B	36°	27 W	-	bread & cheese	2232 lm
36 LED 27W/V W 36 LED 27W/V B	36°	27 W	-	vegetables & fruits	2543 lm
36 LED 27W/F W 36 LED 27W/F B	36°	27 W	-	fish	2349 lm
60 LED 27W/827 W 60 LED 27W/827 B	60°	27 W	80	2700 K	2895 lm
60 LED 27W/830 W 60 LED 27W/830 B	60°	27 W	80	3000 K	3465 lm
60 LED 27W/840 W 60 LED 27W/840 B	60°	27 W	80	4000 K	4077 lm
60 LED 27W/850 W 60 LED 27W/850 B	60°	27 W	80	5000 K	4077 lm
60 LED 27W/M W 60 LED 27W/M B	60°	27 W	-	meat	1920 lm

Technical details, as well as size and weight parameters were prepared as accurately as possible. All dimensions in mm. LED Lifetime Information - L90 / B10 at 25 ° C ambient temperature. A tolerance of +/- 10% applies to luminous flux and performance characteristics. Minimum color rendering indices Ra> 80 /> 90. Product images are used as an example and may differ from the original. We reserve the right to make changes in order to improve the product.

Ordering information

Model	Beam angle	System performance	CRI	Light colour White	Luminous Flux
60 LED 27W/B+C W 60 LED 27W/B+C B	60°	27 W	-	bread & cheese	2232 lm
60 LED 27W/V W 60 LED 27W/V B	60°	27 W	-	vegetables & fruits	2543 lm
60 LED 27W/F W 60 LED 27W/F B	60°	27 W	-	fish	2349 lm
18 LED 27W/927 W 18 LED 27W/927 B	18°	27 W	90	2700 K	2535 lm
18 LED 27W/930 W 18 LED 27W/930 B	18°	27 W	90	3000 K	3057 lm
18 LED 27W/940 W 18 LED 27W/940 B	18°	27 W	90	4000 K	3569 lm
18 LED 27W/950 W 18 LED 27W/950 B	18°	27 W	90	5000 K	3569 lm
24 LED 27W/927 W 24 LED 27W/927 B	24°	27 W	90	2700 K	2535 lm
24 LED 27W/930 W 24 LED 27W/930 B	24°	27 W	90	3000 K	3057 lm
24 LED 27W/940 W 24 LED 27W/940 B	24°	27 W	90	4000 K	3569 lm
24 LED 27W/950 W 24 LED 27W/950 B	24°	27 W	90	5000 K	3569 lm
36 LED 27W/927 W 36 LED 27W/927 B	36°	27 W	90	2700 K	2535 lm
36 LED 27W/930 W 36 LED 27W/930 B	36°	27 W	90	3000 K	3057 lm
36 LED 27W/940 W 36 LED 27W/940 B	36°	27 W	90	4000 K	3569 lm
36 LED 27W/950 W 36 LED 27W/950 B	36°	27 W	90	5000 K	3569 lm
60 LED 27W/927 W 60 LED 27W/927 B	60°	27 W	90	2700 K	2535 lm
60 LED 27W/930 W 60 LED 27W/930 B	60°	27 W	90	3000 K	3057 lm
60 LED 27W/940 W 60 LED 27W/940 B	60°	27 W	90	4000 K	3569 lm
60 LED 27W/950 W 60 LED 27W/950 B	60°	27 W	90	5000 K	3569 lm

Technical details, as well as size and weight parameters were prepared as accurately as possible. All dimensions in mm. LED Lifetime Information - L90 / B10 at 25 ° C ambient temperature. A tolerance of +/- 10% applies to luminous flux and performance characteristics. Minimum color rendering indices Ra > 80 / > 90. Product images are used as an example and may differ from the original. We reserve the right to make changes in order to improve the product.