

# Track light

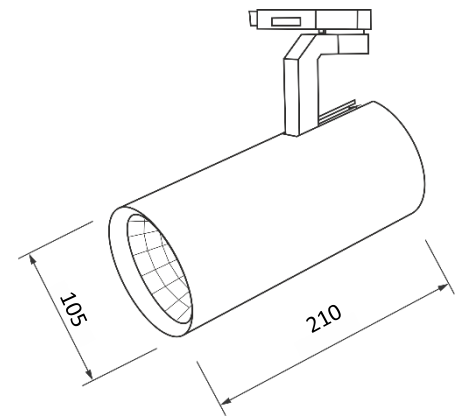
## CHILL XL

**AVA TECH**

Type of luminaire	track light
Application areas	Accent lighting
Mounting	3P Power Track
Pan/tilt range	355°/90°
Supply unit	LED Driver integrated (LED Driver DALI on request)
Nominal voltage	220V, 50Hz
System performance	30 W, 35 W, 40 W
Lighting technology	LED COB
Optic	Aluminum reflector MIRO-Silver®
Beam angle	18°, 24°, 36°, 60°
Luminous Flux	3200 - 6040 lm
Light colour	2700 K, 3000 K, 3500 K - True White, 3500 K - Bright Colour, 3500 K, 4000 K,
Light colour Food*	B+C, V, M, F
CRI	80 - 97
Power factor	0,95

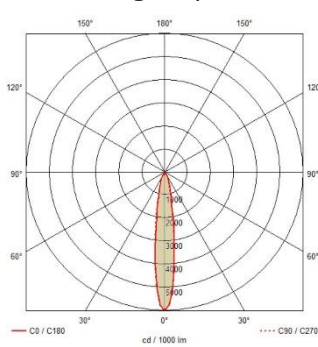
Protection rating	IP20
Cooling	passive
Body	Cast aluminum
Body colour	black, white, Special colours on request
Weight	1,32 kg
Life time	50 000 hours.
Warranty	5 years/50 000 hours
Certificates	UA, CE

\* B = Bakery, V = Vegetable, C = Cheese,  
M = Meat, F = Fish

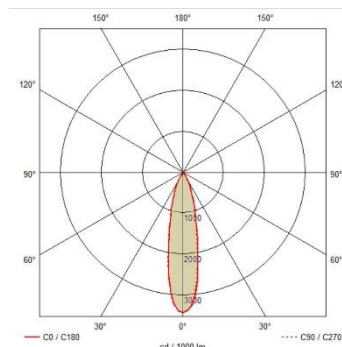


Dimensions

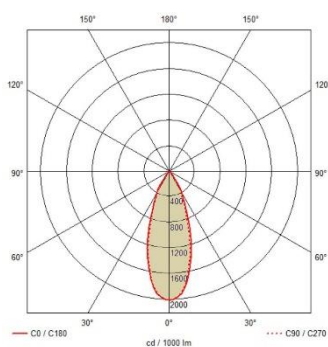
### Beam angle options



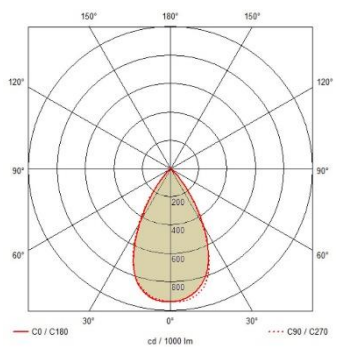
CHILL18 LED



CHILL24 LED



CHILL36 LED



CHILL60 LED

Technical details, as well as size and weight parameters were prepared as accurately as possible. All dimensions in mm. LED Lifetime Information - L90 / B10 at 25 ° C ambient temperature. A tolerance of +/- 10% applies to luminous flux and performance characteristics. Minimum color rendering indices  $R_a > 80$  /  $> 90$ . Product images are used as an example and may differ from the original. We reserve the right to make changes in order to improve the product.

## Ordering information

Model	Beam angle	System performance	CRI	Light colour White	Luminous Flux
18 LED 30W/827 W 18 LED 30W/827 B	18°	30 W	80	2700 K	3217 lm
18 LED 30W/830 W 18 LED 30W/830 B	18°	30 W	80	3000 K	3850 lm
18 LED 30W/840 W 18 LED 30W/840 B	18°	30 W	80	4000 K	4530 lm
18 LED 30W/850 W 18 LED 30W/850 B	18°	30 W	80	5000 K	4530 lm
18 LED 30W/M W 18 LED 30W/M B	18°	30 W	-	meat	2133 lm
18 LED 30W/B+C W 18 LED 30W/B+C B	18°	30 W	-	bread & cheese	2480 lm
18 LED 30W/V W 18 LED 30W/V B	18°	30 W	-	vegetables & fruits	2826 lm
18 LED 30W/F W 18 LED 30W/F B	18°	30 W	-	fish	2610 lm
24 LED 30W/827 W 24 LED 30W/827 B	24°	30 W	80	2700 K	3217 lm
24 LED 30W/830 W 24 LED 30W/830 B	24°	30 W	80	3000 K	3850 lm
24 LED 30W/840 W 24 LED 30W/840 B	24°	30 W	80	4000 K	4530 lm
24 LED 30W/850 W 24 LED 30W/850 B	24°	30 W	80	5000 K	4530 lm
24 LED 30W/M W 24 LED 30W/M B	24°	30 W	-	meat	2133 lm
24 LED 30W/B+C W 24 LED 30W/B+C B	24°	30 W	-	bread & cheese	2480 lm
24 LED 30W/V W 24 LED 30W/V B	24°	30 W	-	vegetables & fruits	2826 lm
24 LED 30W/F W 24 LED 30W/F B	24°	30 W	-	fish	2610 lm
36 LED 30W/827 W 36 LED 30W/827 B	36°	30 W	80	2700 K	3217 lm
36 LED 30W/830 W 36 LED 30W/830 B	36°	30 W	80	3000 K	3850 lm
36 LED 30W/840 W 36 LED 30W/840 B	36°	30 W	80	4000 K	4530 lm
36 LED 30W/850 W 36 LED 30W/850 B	36°	30 W	80	5000 K	4530 lm
36 LED 30W/M W 36 LED 30W/M B	36°	30 W	-	meat	2133 lm
36 LED 30W/B+C W 36 LED 30W/B+C B	36°	30 W	-	bread & cheese	2480 lm
36 LED 30W/V W 36 LED 30W/V B	36°	30 W	-	vegetables & fruits	2826 lm
36 LED 30W/F W 36 LED 30W/F B	36°	30 W	-	fish	2610 lm
60 LED 30W/827 W 60 LED 30W/827 B	60°	30 W	80	2700 K	3217 lm

Technical details, as well as size and weight parameters were prepared as accurately as possible. All dimensions in mm. LED Lifetime Information - L90 / B10 at 25 ° C ambient temperature. A tolerance of +/- 10% applies to luminous flux and performance characteristics. Minimum color rendering indices Ra > 80 / > 90. Product images are used as an example and may differ from the original. We reserve the right to make changes in order to improve the product.

## Ordering information

Model	Beam angle	System performance	CRI	Light colour White	Luminous Flux
60 LED 30W/830 W 60 LED 30W/830 B	60°	30 W	80	3000 K	3850 lm
60 LED 30W/840 W 60 LED 30W/840 B	60°	30 W	80	4000 K	4530 lm
60 LED 30W/850 W 60 LED 30W/850 B	60°	30 W	80	5000 K	4530 lm
60 LED 30W/M W 60 LED 30W/M B	60°	30 W	-	meat	2133 lm
60 LED 30W/B+C W 60 LED 30W/B+C B	60°	30 W	-	bread & cheese	2480 lm
60 LED 30W/V W 60 LED 30W/V B	60°	30 W	-	vegetables & fruits	2826 lm
60 LED 30W/F W 60 LED 30W/F B	60°	30 W	-	fish	2610 lm
18 LED 30W/927 W 18 LED 30W/927 B	18°	30 W	90	2700 K	2816 lm
18 LED 30W/930 W 18 LED 30W/930 B	18°	30 W	90	3000 K	3397 lm
18 LED 30W/940 W 18 LED 30W/940 B	18°	30 W	90	4000 K	3966 lm
18 LED 30W/950 W 18 LED 30W/950 B	18°	30 W	90	5000 K	3966 lm
24 LED 30W/927 W 24 LED 30W/927 B	24°	30 W	90	2700 K	2816 lm
24 LED 30W/930 W 24 LED 30W/930 B	24°	30 W	90	3000 K	3397 lm
24 LED 30W/940 W 24 LED 30W/940 B	24°	30 W	90	4000 K	3966 lm
24 LED 30W/950 W 24 LED 30W/950 B	24°	30 W	90	5000 K	3966 lm
36 LED 30W/927 W 36 LED 30W/927 B	36°	30 W	90	2700 K	2816 lm
36 LED 30W/930 W 36 LED 30W/930 B	36°	30 W	90	3000 K	3397 lm
36 LED 30W/940 W 36 LED 30W/940 B	36°	30 W	90	4000 K	3966 lm
36 LED 30W/950 W 36 LED 30W/950 B	36°	30 W	90	5000 K	3966 lm
60 LED 30W/927 W 60 LED 30W/927 B	60°	30 W	90	2700 K	2816 lm
60 LED 30W/930 W 60 LED 30W/930 B	60°	30 W	90	3000 K	3397 lm
60 LED 30W/940 W 60 LED 30W/940 B	60°	30 W	90	4000 K	3966 lm
60 LED 30W/950 W 60 LED 30W/950 B	60°	30 W	90	5000 K	3966 lm
18 LED 35W/827 W 18 LED 35W/827 B	18°	35 W	80	2700 K	3753 lm
18 LED 35W/830 W 18 LED 35W/830 B	18°	35 W	80	3000 K	4492 lm

Technical details, as well as size and weight parameters were prepared as accurately as possible. All dimensions in mm. LED Lifetime Information - L90 / B10 at 25 ° C ambient temperature. A tolerance of +/- 10% applies to luminous flux and performance characteristics. Minimum color rendering indices Ra > 80 / > 90. Product images are used as an example and may differ from the original. We reserve the right to make changes in order to improve the product.

## Ordering information

Model	Beam angle	System performance	CRI	Light colour White	Luminous Flux
18 LED 35W/840 W 18 LED 35W/840 B	18°	35 W	80	4000 K	5285 lm
18 LED 35W/850 W 18 LED 35W/850 B	18°	35 W	80	5000 K	5285 lm
18 LED 35W/M W 18 LED 35W/M B	18°	35 W	-	meat	2489 lm
18 LED 35W/B+C W 18 LED 35W/B+C B	18°	35 W	-	bread & cheese	2893 lm
18 LED 35W/V W 18 LED 35W/V B	18°	35 W	-	vegetables & fruits	3297 lm
18 LED 35W/F W 18 LED 35W/F B	18°	35 W	-	fish	3045 lm
24 LED 35W/827 W 24 LED 35W/827 B	24°	35 W	80	2700 K	3753 lm
24 LED 35W/830 W 24 LED 35W/830 B	24°	35 W	80	3000 K	4492 lm
24 LED 35W/840 W 24 LED 35W/840 B	24°	35 W	80	4000 K	5285 lm
24 LED 35W/850 W 24 LED 35W/850 B	24°	35 W	80	5000 K	5285 lm
24 LED 35W/M W 24 LED 35W/M B	24°	35 W	-	meat	2489 lm
24 LED 35W/B+C W 24 LED 35W/B+C B	24°	35 W	-	bread & cheese	2893 lm
24 LED 35W/V W 24 LED 35W/V B	24°	35 W	-	vegetables & fruits	3297 lm
24 LED 35W/F W 24 LED 35W/F B	24°	35 W	-	fish	3045 lm
36 LED 35W/827 W 36 LED 35W/827 B	36°	35 W	80	2700 K	3753 lm
36 LED 35W/830 W 36 LED 35W/830 B	36°	35 W	80	3000 K	4492 lm
36 LED 35W/840 W 36 LED 35W/840 B	36°	35 W	80	4000 K	5285 lm
36 LED 35W/850 W 36 LED 35W/850 B	36°	35 W	80	5000 K	5285 lm
36 LED 35W/M W 36 LED 35W/M B	36°	35 W	-	meat	2489 lm
36 LED 35W/B+C W 36 LED 35W/B+C B	36°	35 W	-	bread & cheese	2893 lm
36 LED 35W/V W 36 LED 35W/V B	36°	35 W	-	vegetables & fruits	3297 lm
36 LED 35W/F W 36 LED 35W/F B	36°	35 W	-	fish	3045 lm
60 LED 35W/827 W 60 LED 35W/827 B	60°	35 W	80	2700 K	3753 lm
60 LED 35W/830 W 60 LED 35W/830 B	60°	35 W	80	3000 K	4492 lm
60 LED 35W/840 W 60 LED 35W/840 B	60°	35 W	80	4000 K	5285 lm

Technical details, as well as size and weight parameters were prepared as accurately as possible. All dimensions in mm. LED Lifetime Information - L90 / B10 at 25 ° C ambient temperature. A tolerance of +/- 10% applies to luminous flux and performance characteristics. Minimum color rendering indices Ra > 80 / > 90. Product images are used as an example and may differ from the original. We reserve the right to make changes in order to improve the product.

## Ordering information

Model	Beam angle	System performance	CRI	Light colour White	Luminous Flux
60 LED 35W/850 W 60 LED 35W/850 B	60°	35 W	80	5000 K	5285 lm
60 LED 35W/M W 60 LED 35W/M B	60°	35 W	-	meat	2489 lm
60 LED 35W/B+C W 60 LED 35W/B+C B	60°	35 W	-	bread & cheese	2893 lm
60 LED 35W/V W 60 LED 35W/V B	60°	35 W	-	vegetables & fruits	3297 lm
60 LED 35W/F W 60 LED 35W/F B	60°	35 W	-	fish	3045 lm
18 LED 35W/927 W 18 LED 35W/927 B	18°	35 W	90	2700 K	3286 lm
18 LED 35W/930 W 18 LED 35W/930 B	18°	35 W	90	3000 K	3963 lm
18 LED 35W/940 W 18 LED 35W/940 B	18°	35 W	90	4000 K	4627 lm
18 LED 35W/950 W 18 LED 35W/950 B	18°	35 W	90	5000 K	4627 lm
24 LED 35W/927 W 24 LED 35W/927 B	24°	35 W	90	2700 K	3286 lm
24 LED 35W/930 W 24 LED 35W/930 B	24°	35 W	90	3000 K	3963 lm
24 LED 35W/940 W 24 LED 35W/940 B	24°	35 W	90	4000 K	4627 lm
24 LED 35W/950 W 24 LED 35W/950 B	24°	35 W	90	5000 K	4627 lm
36 LED 35W/927 W 36 LED 35W/927 B	36°	35 W	90	2700 K	3286 lm
36 LED 35W/930 W 36 LED 35W/930 B	36°	35 W	90	3000 K	3963 lm
36 LED 35W/940 W 36 LED 35W/940 B	36°	35 W	90	4000 K	4627 lm
36 LED 35W/950 W 36 LED 35W/950 B	36°	35 W	90	5000 K	4627 lm
60 LED 35W/927 W 60 LED 35W/927 B	60°	35 W	90	2700 K	3286 lm
60 LED 35W/930 W 60 LED 35W/930 B	60°	35 W	90	3000 K	3963 lm
60 LED 35W/940 W 60 LED 35W/940 B	60°	35 W	90	4000 K	4627 lm
60 LED 35W/950 W 60 LED 35W/950 B	60°	35 W	90	5000 K	4627 lm
18 LED 40W/827 W 18 LED 40W/827 B	18°	40 W	80	2700 K	4289 lm
18 LED 40W/830 W 18 LED 40W/830 B	18°	40 W	80	3000 K	5133 lm
18 LED 40W/840 W 18 LED 40W/840 B	18°	40 W	80	4000 K	6040 lm
18 LED 40W/850 W 18 LED 40W/850 B	18°	40 W	80	5000 K	6040 lm

Technical details, as well as size and weight parameters were prepared as accurately as possible. All dimensions in mm. LED Lifetime Information - L90 / B10 at 25 ° C ambient temperature. A tolerance of +/- 10% applies to luminous flux and performance characteristics. Minimum color rendering indices Ra > 80 / > 90. Product images are used as an example and may differ from the original. We reserve the right to make changes in order to improve the product.

## Ordering information

Model	Beam angle	System performance	CRI	Light colour White	Luminous Flux
18 LED 40W/M W 18 LED 40W/M B	18°	40 W	-	meat	2844 lm
18 LED 40W/B+C W 18 LED 40W/B+C B	18°	40 W	-	bread & cheese	3306 lm
18 LED 40W/V W 18 LED 40W/V B	18°	40 W	-	vegetables & fruits	3768 lm
18 LED 40W/F W 18 LED 40W/F B	18°	40 W	-	fish	3480 lm
24 LED 40W/827 W 24 LED 40W/827 B	24°	40 W	80	2700 K	4289 lm
24 LED 40W/830 W 24 LED 40W/830 B	24°	40 W	80	3000 K	5133 lm
24 LED 40W/840 W 24 LED 40W/840 B	24°	40 W	80	4000 K	6040 lm
24 LED 40W/850 W 24 LED 40W/850 B	24°	40 W	80	5000 K	6040 lm
24 LED 40W/M W 24 LED 40W/M B	24°	40 W	-	meat	2844 lm
24 LED 40W/B+C W 24 LED 40W/B+C B	24°	40 W	-	bread & cheese	3306 lm
24 LED 40W/V W 24 LED 40W/V B	24°	40 W	-	vegetables & fruits	3768 lm
24 LED 40W/F W 24 LED 40W/F B	24°	40 W	-	fish	3480 lm
36 LED 40W/827 W 36 LED 40W/827 B	36°	40 W	80	2700 K	4289 lm
36 LED 40W/830 W 36 LED 40W/830 B	36°	40 W	80	3000 K	5133 lm
36 LED 40W/840 W 36 LED 40W/840 B	36°	40 W	80	4000 K	6040 lm
36 LED 40W/850 W 36 LED 40W/850 B	36°	40 W	80	5000 K	6040 lm
36 LED 40W/M W 36 LED 40W/M B	36°	40 W	-	meat	2844 lm
36 LED 40W/B+C W 36 LED 40W/B+C B	36°	40 W	-	bread & cheese	3306 lm
36 LED 40W/V W 36 LED 40W/V B	36°	40 W	-	vegetables & fruits	3768 lm
36 LED 40W/F W 36 LED 40W/F B	36°	40 W	-	fish	3480 lm
60 LED 40W/827 W 60 LED 40W/827 B	60°	40 W	80	2700 K	4289 lm
60 LED 40W/830 W 60 LED 40W/830 B	60°	40 W	80	3000 K	5133 lm
60 LED 40W/840 W 60 LED 40W/840 B	60°	40 W	80	4000 K	6040 lm
60 LED 40W/850 W 60 LED 40W/850 B	60°	40 W	80	5000 K	6040 lm
60 LED 40W/M W 60 LED 40W/M B	60°	40 W	-	meat	2844 lm

Technical details, as well as size and weight parameters were prepared as accurately as possible. All dimensions in mm. LED Lifetime Information - L90 / B10 at 25 ° C ambient temperature. A tolerance of +/- 10% applies to luminous flux and performance characteristics. Minimum color rendering indices Ra > 80 / > 90. Product images are used as an example and may differ from the original. We reserve the right to make changes in order to improve the product.

## Ordering information

Model	Beam angle	System performance	CRI	Light colour White	Luminous Flux
60 LED 40W/B+C W 60 LED 40W/B+C B	60°	40 W	-	bread & cheese	3306 lm
60 LED 40W/V W 60 LED 40W/V B	60°	40 W	-	vegetables & fruits	3768 lm
60 LED 40W/F W 60 LED 40W/F B	60°	40 W	-	fish	3480 lm
18 LED 40W/927 W 18 LED 40W/927 B	18°	40 W	90	2700 K	3755 lm
18 LED 40W/930 W 18 LED 40W/930 B	18°	40 W	90	3000 K	4529 lm
18 LED 40W/940 W 18 LED 40W/940 B	18°	40 W	90	4000 K	5288 lm
18 LED 40W/950 W 18 LED 40W/950 B	18°	40 W	90	5000 K	5288 lm
24 LED 40W/927 W 24 LED 40W/927 B	24°	40 W	90	2700 K	3755 lm
24 LED 40W/930 W 24 LED 40W/930 B	24°	40 W	90	3000 K	4529 lm
24 LED 40W/940 W 24 LED 40W/940 B	24°	40 W	90	4000 K	5288 lm
24 LED 40W/950 W 24 LED 40W/950 B	24°	40 W	90	5000 K	5288 lm
36 LED 40W/927 W 36 LED 40W/927 B	36°	40 W	90	2700 K	3755 lm
36 LED 40W/930 W 36 LED 40W/930 B	36°	40 W	90	3000 K	4529 lm
36 LED 40W/940 W 36 LED 40W/940 B	36°	40 W	90	4000 K	5288 lm
36 LED 40W/950 W 36 LED 40W/950 B	36°	40 W	90	5000 K	5288 lm
60 LED 40W/927 W 60 LED 40W/927 B	60°	40 W	90	2700 K	3755 lm
60 LED 40W/930 W 60 LED 40W/930 B	60°	40 W	90	3000 K	4529 lm
60 LED 40W/940 W 60 LED 40W/940 B	60°	40 W	90	4000 K	5288 lm
60 LED 40W/950 W 60 LED 40W/950 B	60°	40 W	90	5000 K	5288 lm

Technical details, as well as size and weight parameters were prepared as accurately as possible. All dimensions in mm. LED Lifetime Information - L90 / B10 at 25 ° C ambient temperature. A tolerance of +/- 10% applies to luminous flux and performance characteristics. Minimum color rendering indices Ra > 80 / > 90. Product images are used as an example and may differ from the original. We reserve the right to make changes in order to improve the product.