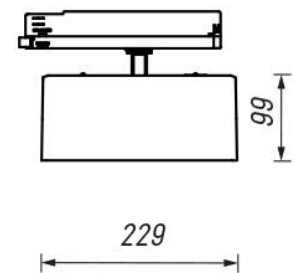
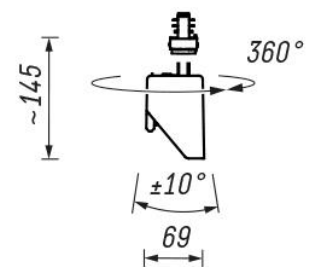
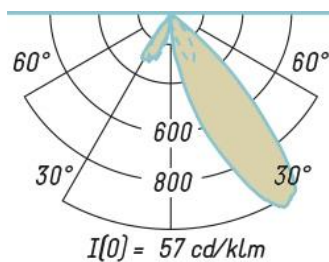


Type of luminaire	track light
Application areas	Accent lighting
Mounting	3P Power Track
Pan/tilt range	360°/10°
Supply unit	LED Driver integrated (LED Driver DALI on request)
Nominal voltage	220V, 50Hz
System performance	64 W, 94 W
Lighting technology	LED COB
Optic	built-in replaceable reflector DF-NB or WW
Beam angle	DF-NB, WW
Luminous Flux	8000 - 12000 lm
Light colour	2700 K, 3000 K, 4000 K,
CRI	80 - 97
Power factor	0,95
Protection rating	IP20
Cooling	passive
Body	Cast aluminum
Body colour	black, white, Special colours on request
Weight	2,2 kg
Life time	50 000 hours
Warranty	5 years/50 000 hours
Certificates	UA, CE

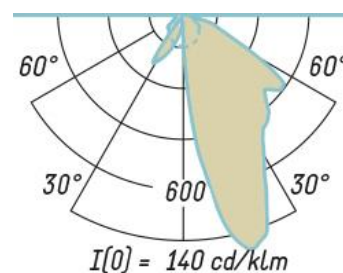


Dimensions

Beam angle options



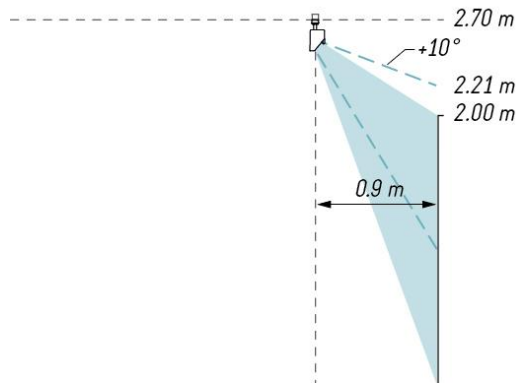
DF-NB



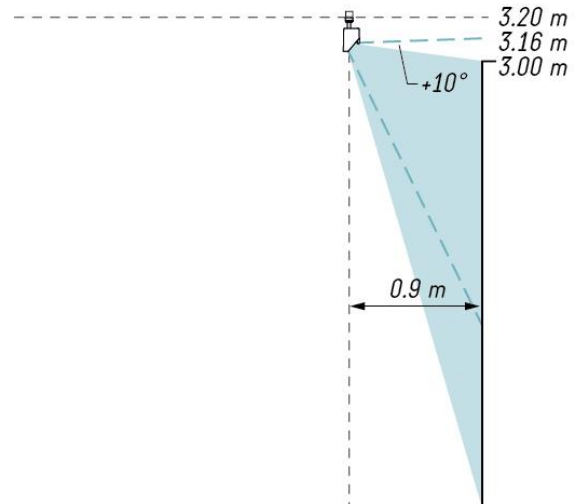
WW

Technical details, as well as size and weight parameters were prepared as accurately as possible. All dimensions in mm. LED Lifetime Information - L90 / B10 at 25 ° C ambient temperature. A tolerance of +/- 10% applies to luminous flux and performance characteristics. Minimum color rendering indices Ra > 80 / > 90. Product images are used as an example and may differ from the original. We reserve the right to make changes in order to improve the product.

Design information



DF-NB
 Recommended installation height 2.7 m
 Distance between fixtures 2.8 m



WW
 Recommended installation height 3.2 m
 Distance between fixtures 2.5 m

Ordering information

Model	Beam angle	System performance	CRI	Light colour White	Luminous Flux
DF-NB LED 33W/830 W DF-NB LED 33W/830 B	DF-NB	33 W	80	3000 K	3960 lm
WW LED 33W/830 W WW LED 33W/830 B	WW	33 W	80	3000 K	4026 lm
DF-NB LED 33W/840 W DF-NB LED 33W/840 B	DF-NB	33 W	80	4000 K	3960 lm
WW LED 33W/840 W WW LED 33W/830 B	WW	33 W	80	4000 K	4026 lm
DF-NB LED 33W/927 W DF-NB LED 33W/927 B	DF-NB	33 W	90	2700 K	3168 lm
WW LED 33W/927 W WW LED 33W/927 B	WW	33 W	90	2700 K	3300 lm

Technical details, as well as size and weight parameters were prepared as accurately as possible. All dimensions in mm. LED Lifetime Information - L90 / B10 at 25 ° C ambient temperature. A tolerance of +/- 10% applies to luminous flux and performance characteristics. Minimum color rendering indices Ra > 80 / > 90. Product images are used as an example and may differ from the original. We reserve the right to make changes in order to improve the product.