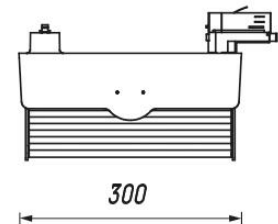
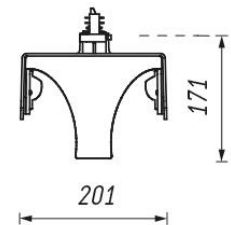


Track light

NAVO NSK

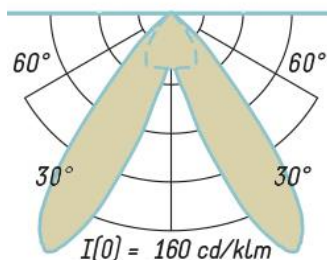
AVA TECH

Type of luminaire	track light
Application areas	Accent lighting
Mounting	3P Power Track
Pan/tilt range	360°/10°
Supply unit	LED Driver integrated (LED Driver DALI on request)
Nominal voltage	220V, 50Hz
System performance	64 W, 94 W
Lighting technology	LED COB
Optic	built-in replaceable reflector DDF-NB or DDF-NX
Beam angle	2x30°(DDF-NB), 2x30°(DDF-NX)
Luminous Flux	8000 - 12000 lm
Light colour	2700 K, 3000 K, 4000 K,
CRI	80 - 97
Power factor	0,95
Protection rating	IP20
Cooling	passive
Body	Cast aluminum
Body colour	black, white, Special colours on request
Weight	2,2 kg
Life time	50 000 hours
Warranty	5 years/50 000 hours
Certificates	UA, CE

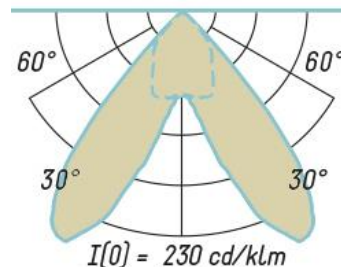


Dimensions

Beam angle options



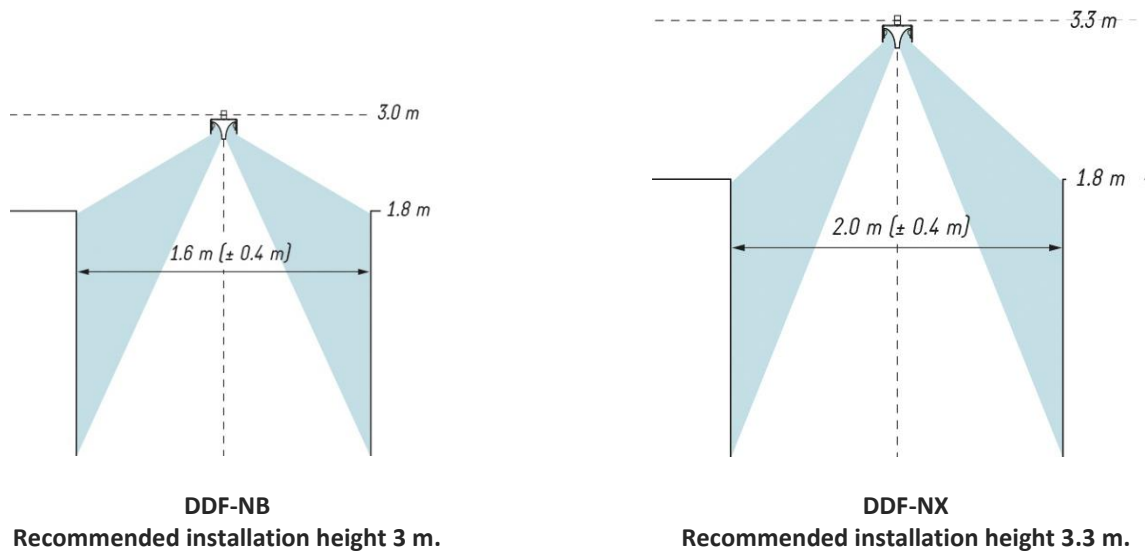
2x30°(DDF-NB)



2x30°(DDF-NX)

Technical details, as well as size and weight parameters were prepared as accurately as possible. All dimensions in mm. LED Lifetime Information - L90 / B10 at 25 ° C ambient temperature. A tolerance of +/- 10% applies to luminous flux and performance characteristics. Minimum color rendering indices Ra > 80 / > 90. Product images are used as an example and may differ from the original. We reserve the right to make changes in order to improve the product.

Design information



Ordering information

Model	Beam angle	System performance	CRI	Light colour White	Luminous Flux
DDF NB LED 64W/830 W	DDF-NB	64 W	80	3000 K	8000 lm
DDF NB LED 64W/830 B					
DDF NX LED 64W/830 W	DDF-NX	64 W	80	3000 K	8000 lm
DDF NX LED 64W/830 B					
DDF NB LED 94W/830 W	DDF-NB	94 W	80	3000 K	12000 lm
DDF NB LED 94W/830 B					
DDF NX LED 94W/830 W	DDF-NX	94 W	80	3000 K	12000 lm
DDF NX LED 94W/830 B					
DDF NB LED 64W/840 W	DDF-NB	64 W	80	4000 K	8000 lm
DDF NB LED 64W/840 B					
DDF NX LED 64W/840 W	DDF-NX	64 W	80	4000 K	8000 lm
DDF NX LED 64W/840 B					
DDF NB LED 94W/840 W	DDF-NB	94 W	80	4000 K	12000 lm
DDF NB LED 94W/840 B					
DDF NX LED 94W/840 W	DDF-NX	94 W	80	4000 K	12000 lm
DDF NX LED 94W/840 B					
DDF NB LED 64W/927 W	DDF-NB	64 W	90	2700 K	8000 lm
DDF NB LED 64W/927 B					
DDF NX LED 64W/927 W	DDF-NX	64 W	90	2700 K	8000 lm
DDF NX LED 64W/927 B					

Technical details, as well as size and weight parameters were prepared as accurately as possible. All dimensions in mm. LED Lifetime Information - L90 / B10 at 25 ° C ambient temperature. A tolerance of +/- 10% applies to luminous flux and performance characteristics. Minimum color rendering indices Ra > 80 / > 90. Product images are used as an example and may differ from the original. We reserve the right to make changes in order to improve the product.