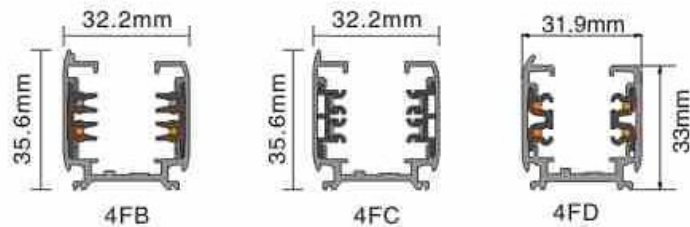


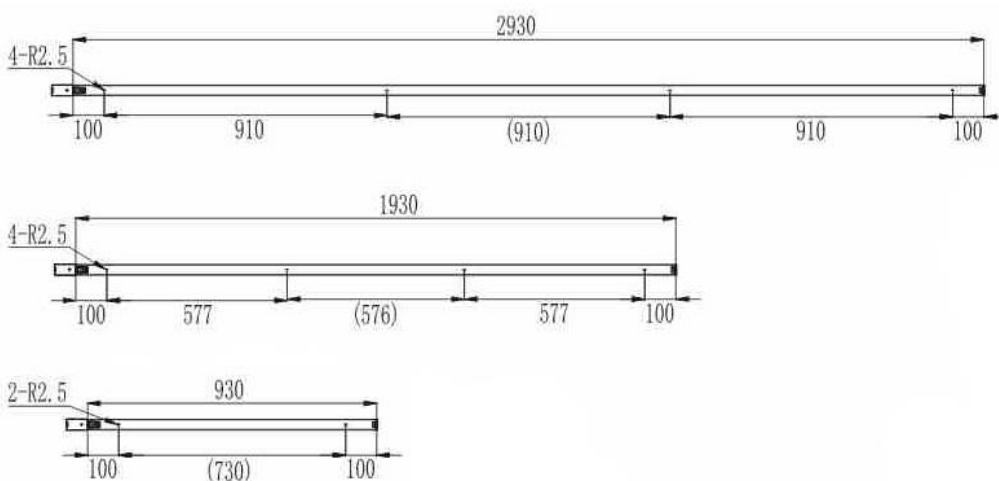
Type of luminaire	3-phase global system
Mounting	surface-mounted / built-in / suspended
Body	aluminum
Body colour	black, white, gray
Length	1 m, 2 m, 3 m
Light control	on request
Connection	AC 230V = max. 3600 W (16 A) 3-phase AC 400V = max 3x3600 W (3x16 A)
Certificates	CE, TÜV



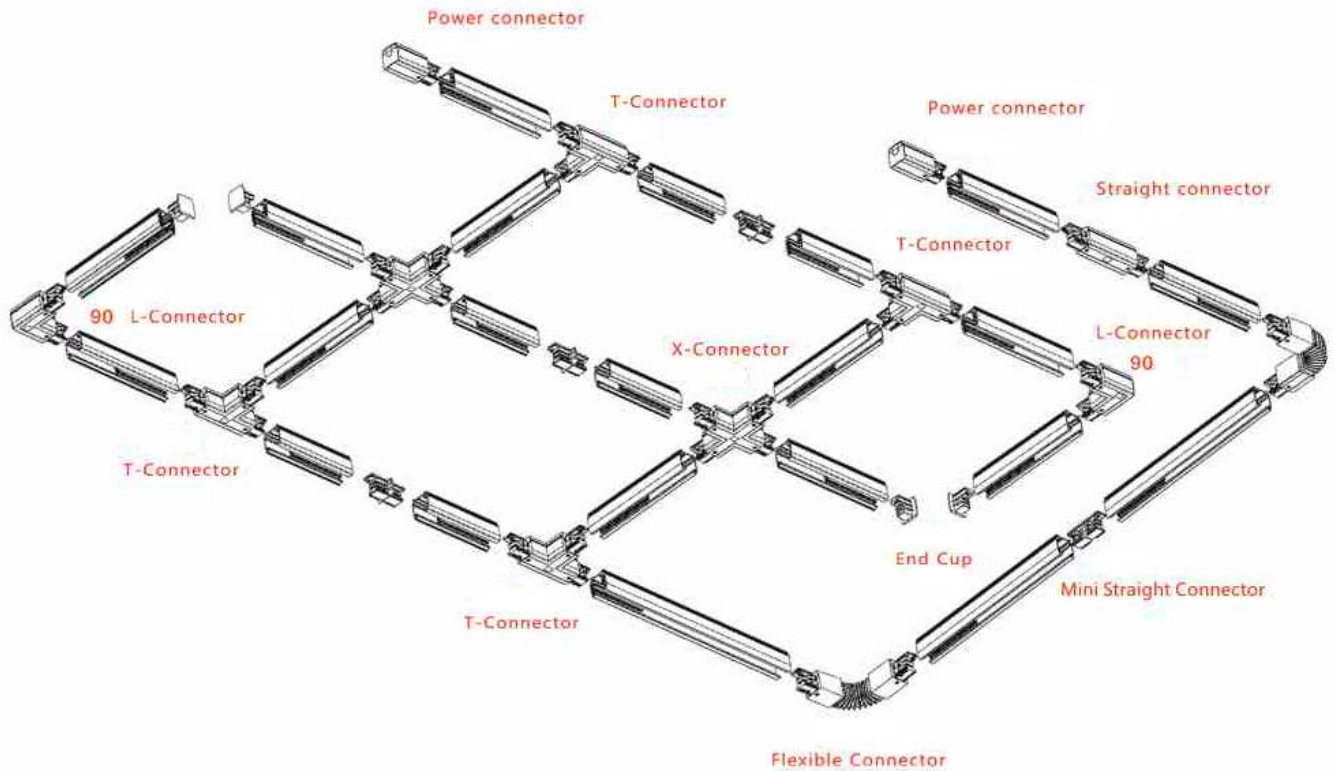
Dimensions



Distance between two mounting holes



Installation diagram











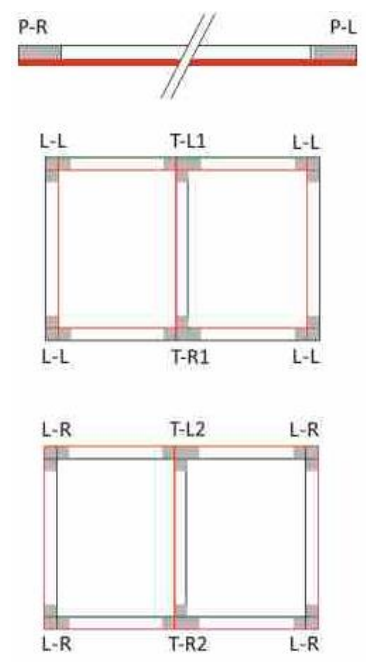
The red line shows the line of the earth

View from above

1. The variety of connectors makes the installation more flexible and convenient. It can solve most lighting requirements as well as optimize room lighting effects.




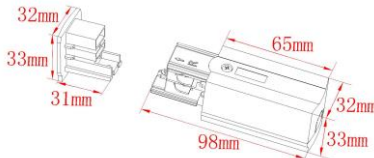

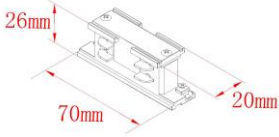
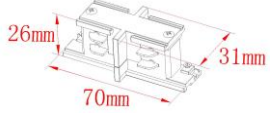
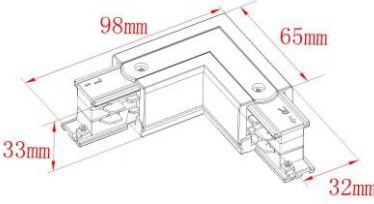
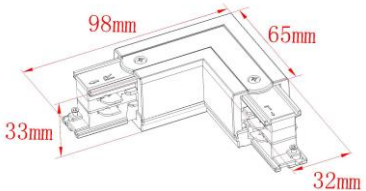
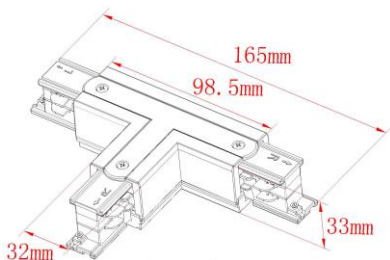
2. Ava Tech's track system is easy to use and safe. The system is equipped with P-Connector, L-Connector, T-Connector, X-Connector and flexible connectors in right and left versions.

	Type
Power Connector	P-L 
	P-R 
L Connector	L-L 
	L-R 
T Connector	T-L1 
	T-L2 
	T-R1 
	T-R2 



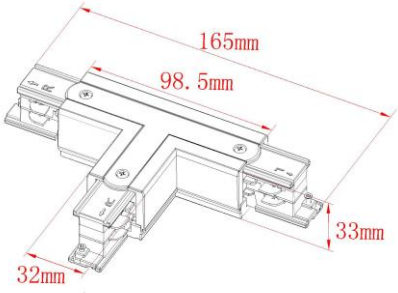
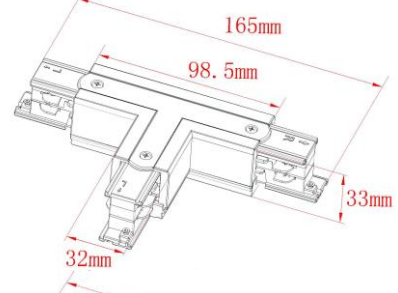
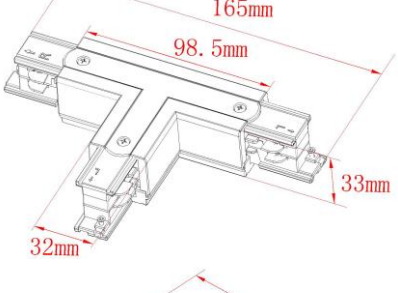
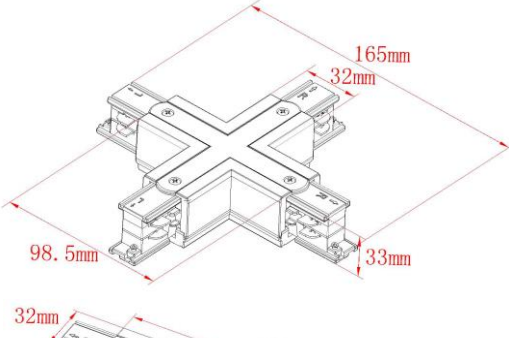
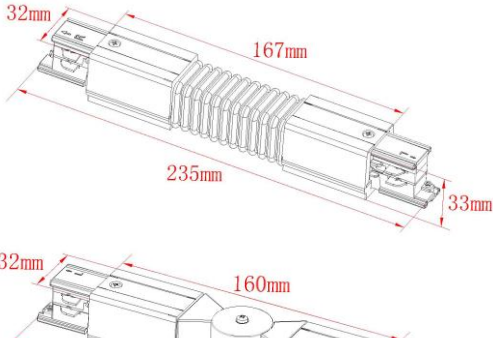
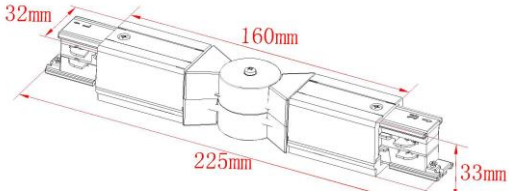
The technical details as well as the dimensions and weights have been prepared as precisely as possible. Product images are used as examples and may differ from the original. We reserve the right to make changes to improve the product.

System components

Detail / Dimensions	Name	Colour
	3-Circuit Track 1 m	White, black, gray
	3-Circuit Track 2 m	White, black, gray
	3-Circuit Track 3 m	White, black, gray
	Power Connector & End Cup	White, black, gray
	Straight Connector	White, black, gray
	Mini Straight Connector	White, black, gray
	Mini Straight Connector 2	White, black, gray
	L-Connector-L90	White, black, gray
	L-Connector-R90	White, black, gray
	T-Connector-L1	White, black, gray

The technical details as well as the dimensions and weights have been prepared as precisely as possible. Product images are used as examples and may differ from the original. We reserve the right to make changes to improve the product.

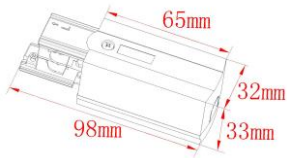
System components

Detail / Dimensions	Name	Colour
	<p>T-Connector-L2</p>	<p>White, black, gray</p>
	<p>T-Connector-R1</p>	<p>White, black, gray</p>
	<p>T-Connector-R2</p>	<p>White, black, gray</p>
	<p>X-Connector</p>	<p>White, black, gray</p>
	<p>Flexible Connector</p>	<p>White, black, gray</p>
	<p>Flexible Hard Connector</p>	<p>White, black, gray</p>

The technical details as well as the dimensions and weights have been prepared as precisely as possible. Product images are used as examples and may differ from the original. We reserve the right to make changes to improve the product.

System components

Detail / Dimensions	Name	Colour
---------------------	------	--------



Power Connector

White, black, gray